



REVOLUTION
RACE CARS

Arrive & Drive Race Drive Proposal

2025

Events :

2025 FARA Winter Series

Arrive and Drive

Arrive and drive services
provided by Certified Dealer
Classic Car Club



FARA 2025

FARA USA is a South Florida racing association that organizes exciting racing events for enthusiasts throughout the year. FARA USA caters to a wide range of cars, from high-performance street cars to prototypes, and holds races at renowned tracks like Homestead Miami Speedway and Sebring International Raceway. Whether you're a seasoned driver or just starting out, FARA USA offers something for everyone, including a racing academy to hone your skills and exciting series like Pro Spec Miata.

FARA

2025

UPDATE

FEB - 07 - 09	HOMESTEAD-MIAMI SPEEDWAY	MIAMI 500 *
MAR - 07 - 09	HOMESTEAD-MIAMI SPEEDWAY	MIAMI GRAND PRIX *
APRIL - 18 - 19	SEBRING INTL RACEWAY	SEBRING 200 *
MAY - 17 - 18	HOMESTEAD-MIAMI SPEEDWAY	ACADEMY/SLS/COMP SCHO
JUN - 14 - 15	ATLANTA MOTORSPORTS PARK	FORMULA FARA ONLY
JULY - 05 - 06	AUTOBAHN RACEWAY	AUTOBAHN 200 ***
AUG - 08 - 10	HOMESTEAD-MIAMI SPEEDWAY	HOMESTEAD 250 **
AUG - 16 - 17	BARBER MOTORSPORTS PARK	FORMULA FARA ONLY
SEP - 06	SEBRING INTL RACEWAY	ACADEMY/SLS ONLY
SEP - 13 - 14	NOLA MOTORSPORTS PARK	HANKOOK 300 *
OCT - 24 - 26	HOMESTEAD-MIAMI SPEEDWAY	HOMESTEAD 300 *
NOV - 15 - 16	THE FIRM	ACADEMY/SLS ONLY
DEC - 19 - 21	HOMESTEAD-MIAMI SPEEDWAY	RACE OF CHAMPIONS *



#SUPERCHARGED

The car : Revolution 500SC

- A-One 500SC
- BHP : 500
- Top Speed : 285 km/h
- 100 – 200 km/h : 5.7s
- Weight: 834kg





500 EVO

EVO upgrades are set out to achieve the following:

- Improved mechanical/low-speed grip
- Refinement of engine power delivery characteristics
- Improved aerodynamic efficiency and balance adjustment
- Stronger and more adjustable transmission

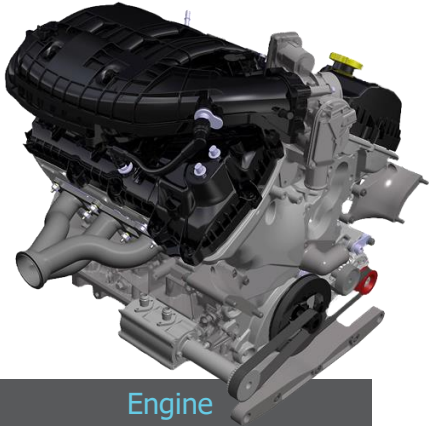
The 500 EVO was:

Targeted to run 1.5 to 2 seconds per lap faster than the 500SC, whilst also improving reliability and consistency over longer race distances.

The 500 EVO debuted at Silverstone on February 20th, 2024:

Won debut race at Zandvoort in April, clearing even the LMP3 cars by over a second per lap!

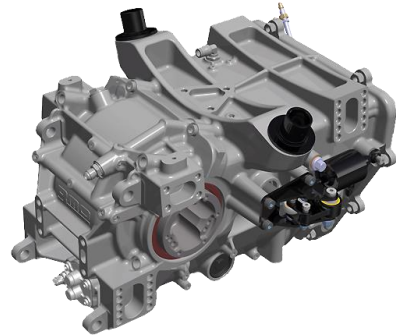
The first truly affordable sports racer with a carbon safety cell and cutting-edge technology



Engine

Developed from a Ford-based V6 unit, the Revolution A-One engine has proven reliability to match its high-end performance.

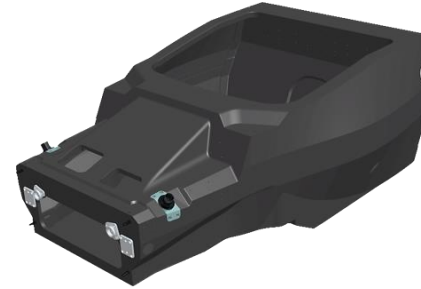
Tuned and prepared for high-energy track work, the power unit is one of the many highlights of this car, with a large torque spread and an epic soundtrack. It also has the reliability, easy servicing and long refresh intervals.



Gearbox

Mated to the engine is a bespoke 6-speed paddle shift gearbox built by 3MO.

With lightning-fast up-shifts and perfectly blipped down-shifts, it's casing is loadbearing, with the suspension mounted directly onto it.



Chassis

The FIA-approved carbon safety cell is both reassuringly strong and spacious enough to fit the largest of drivers and passengers.

It is created by an infusion process developed by DD Composites that keeps the manufacturing costs low but the quality high.

It's also fitted with the world's first double halo system ensuring the highest levels of occupant protection.



Suspension

Double-wishbones meet inboard dampers and adjustable anti-roll bars front and rear.

The dampers are three-way adjustable and have been developed specifically for the A-One.

It will out-handle anything in its class and has been described by very experienced pro-drivers as the best car they've ever driven.

To reduce running costs and spares requirements, components such as the uprights and rockers are identical at each corner.



Control Centre

The Revolution F1-style steering wheel is a piece of art.

Manufactured in carbon, the steering wheel features multiple push and rotary buttons for easy control of engine performance, traction control and brake bias, with ideally-placed buttons for comms, the pit lane speed limiter, data markers and much more.

The wheel centre displays all the required driving information in multiple formats to match every driver's preferences. Full downloadable video data analysis is also available.



Double-halo : another Revolution first

Exceeding FIA standards, the double-halo head protection is inspired by that mandated in Formula One



“The closest car I’ve driven to a Le Mans Prototype car!”

Sir Chris Hoy

- 2015 LMP3 Champion
- Le Mans 24-hour driver
- Six-time Olympic champion
- Eleven-time World champion



Homestead- Miami 500 Feb 7-9 2025

- Friday test day 4 x 30 min sessions
- 1 x 30 min quali
- 3 x 30 min sprint races
- 1 x No. 1 mechanic (dedicated)
- 1 x No. 2 mechanic (shared)
- 1 x Data engineer (shared)
- 1 x Driver coach (shared)
- 2 sets new slicks included
- Serviceable wets supplied if necessary
- Damage not included. Charged as necessary
- **\$18,000 total for above**
- **\$3,000 Optional 75 min enduro**

Miami Grand Prix March 7-9 2025

- Friday test day 4 x 30 min sessions
- 1 x 30 min quali
- 3 x 30 min sprint races
- 1 x No. 1 mechanic (dedicated)
- 1 x No. 2 mechanic (shared)
- 1 x Data engineer (shared)
- 1 x Driver coach (shared)
- 2 sets new slicks included
- Serviceable wets supplied if necessary
- Damage not included. Charged as necessary
- **\$18,000 total for above**
- **\$3,000 Optional 75 min enduro**





Contact :

nigel@revolutionracecars.com

or

zacm@classiccarclub.com

Nigel mobile: + 44 (0) 7818 047 866

Zac mobile : +1 646 331 8224